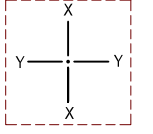
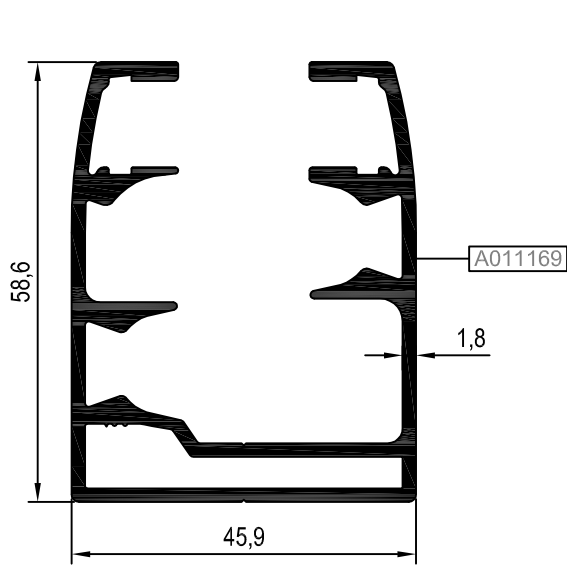


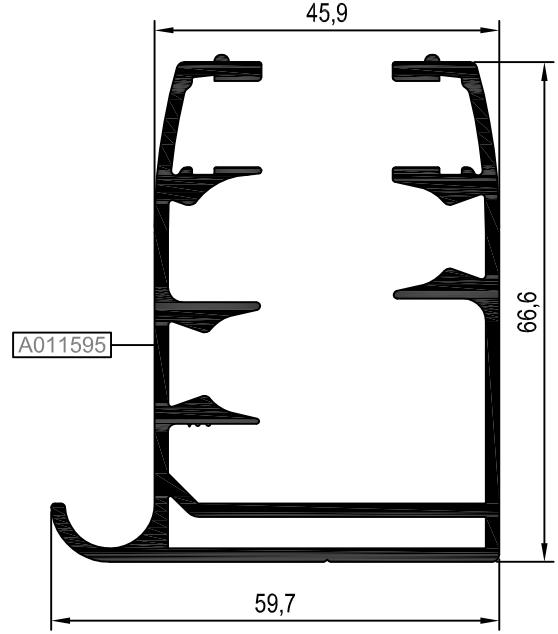
KOD/ CODE	AĞIRLIK (kg/m)/ WEIGHT	Jxx cm <sup>4</sup>	Jyy cm <sup>4</sup>	L m
Rfg46 F 01	1,494	16,903	20,088	6
Rfg46 F 03	1,734	21,950	31,799	6
Rfg46 F 04	2,156	84,492	39,306	6



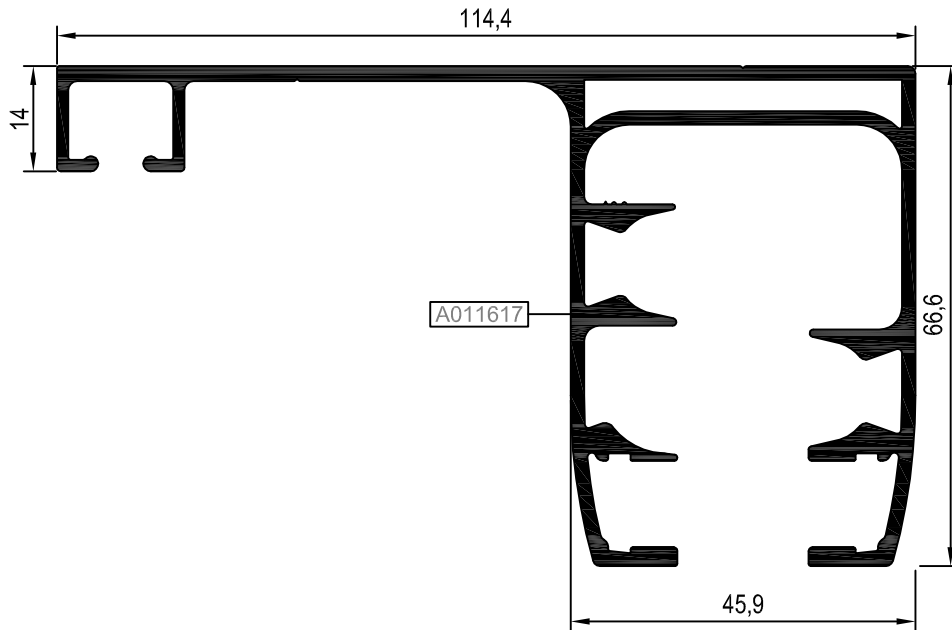
Rfg46 F 01



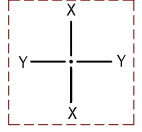
Rfg46 F 03



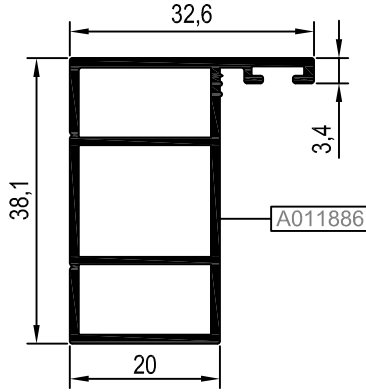
Rfg46 F 04



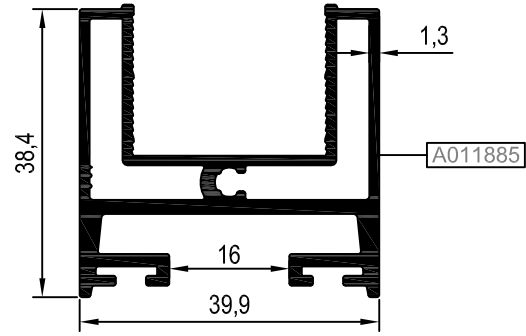
KOD/ CODE	AĞIRLIK (kg/m)/ WEIGHT	Jxx cm4	Jyy cm4	L m
Rfg46 F 05	0,524	3,440	1,607	6
Rfg46 V 06	0,984	4,066	7,745	6



Rfg46 F 05



Rfg46 V 06

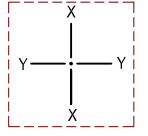


STOKTA BULUNAN SİSTEM PROFİLLERİNİN LİSTESİ (LIST OF SYSTEM PROFILES IN STOCK)

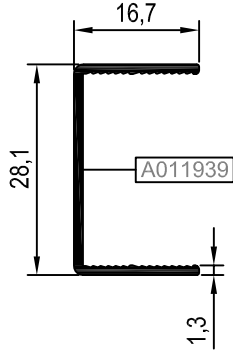
Nr	MIN. SİPARİŞ MİKTARI MIN. ORDER QUANTITY
RFG46 F 01	A011169 75 kg
RFG46 F 03	A011595 75 kg

\* STOKTA BULUNMAYAN TÜM PROFİLLER İÇİN MİNİMUM SİPARİŞ MİKTARI 300 KG'DIR.  
MINIMUM ORDER QUANTITY FOR ALL THE PROFILES THAT ARE NOT IN STOCK IS 300 KG.

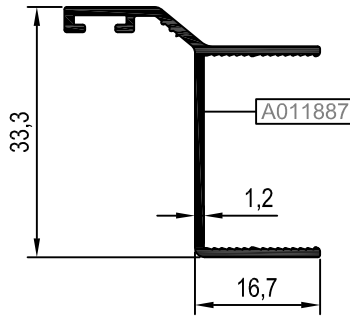
KOD/ CODE	AĞIRLIK (kg/m)/ WEIGHT	Jxx cm4	Jyy cm4	L m
Rfg46 A 09	0,185	0,852	0,190	6
Rfg46 A 10	0,271	1,520	0,696	6
Rfg46 A 11	0,356	2,790	1,006	6
Rfg46 A 12	0,283	1,710	0,343	6
Rfg46 A 13	0,631	5,556	3,801	6



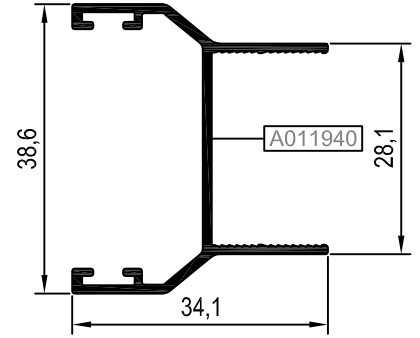
Rfg46 A 09



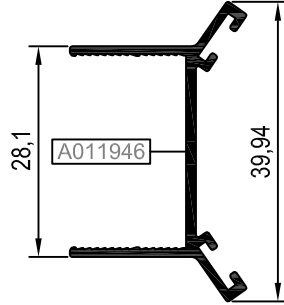
Rfg46 A 10



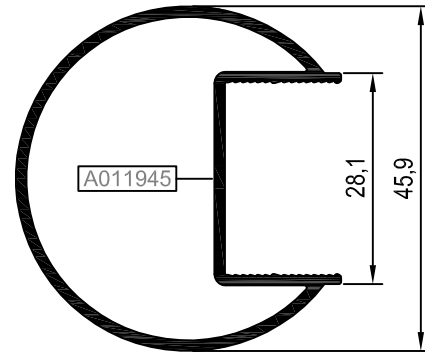
Rfg46 A 11

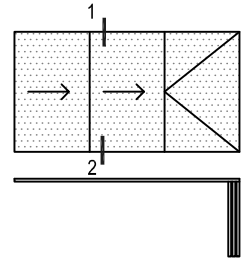


Rfg46 A 12

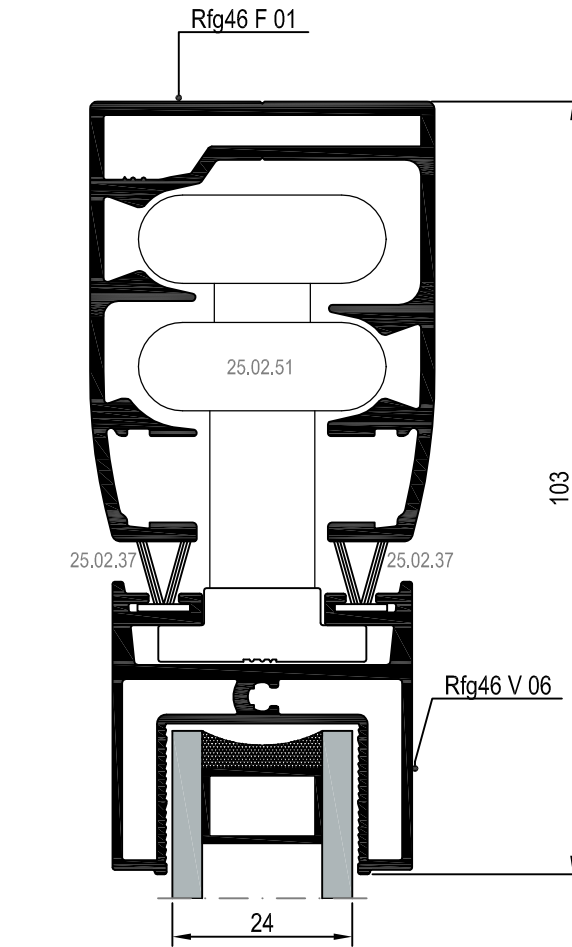


Rfg46 A 13

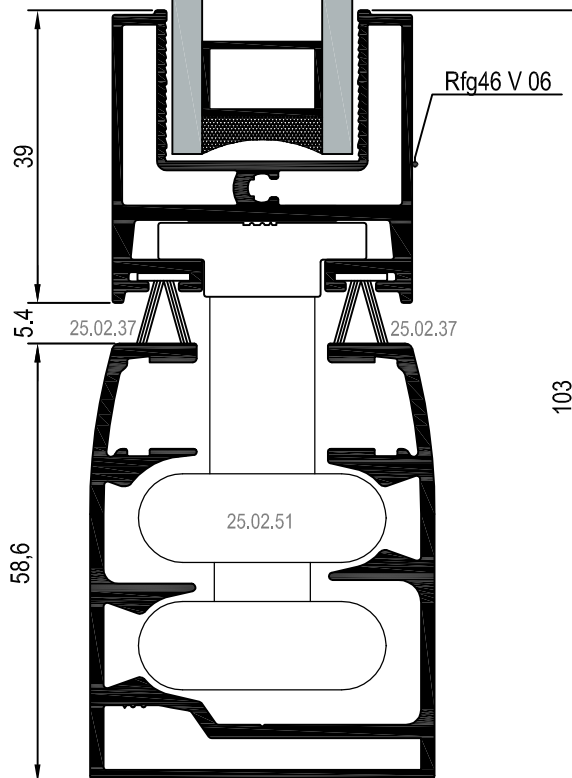


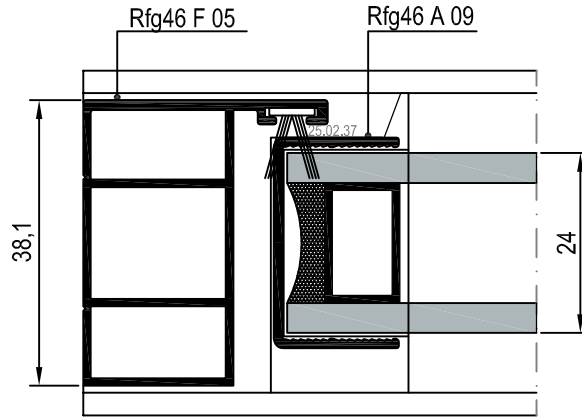
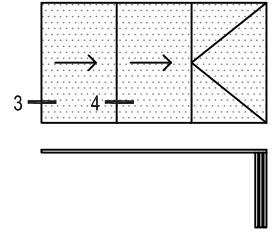


① DETAYI  
DETAIL



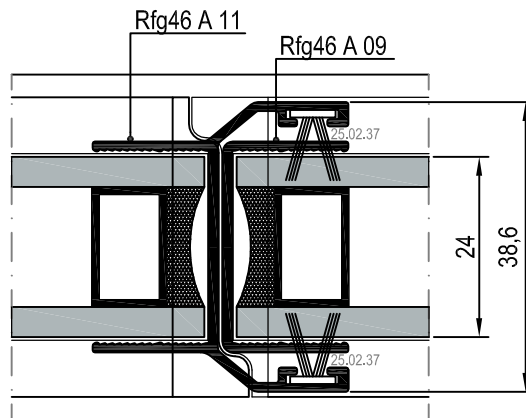
② DETAYI  
DETAIL





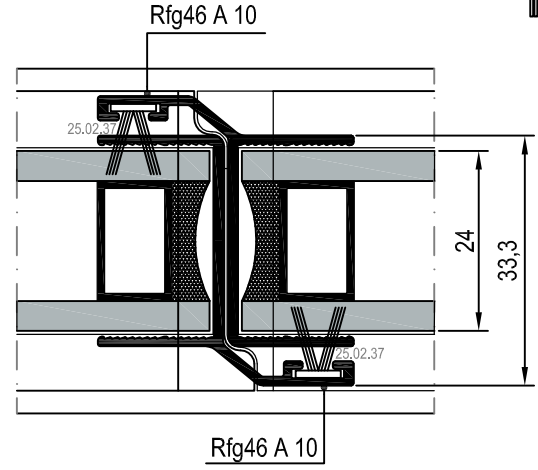
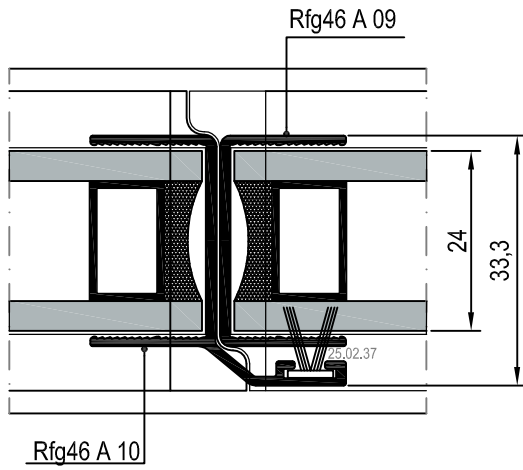
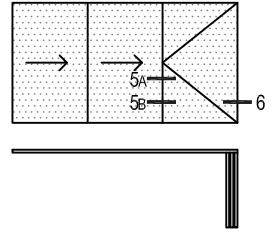
DIŞ  
(OUTSIDE) ▼

③ DETAYI  
DETAIL



DIŞ  
(OUTSIDE) ▼

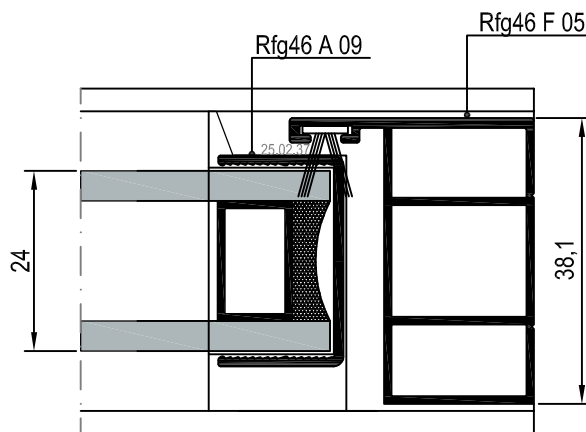
④ DETAYI  
DETAIL



DIŞ  
(OUTSIDE) ▼

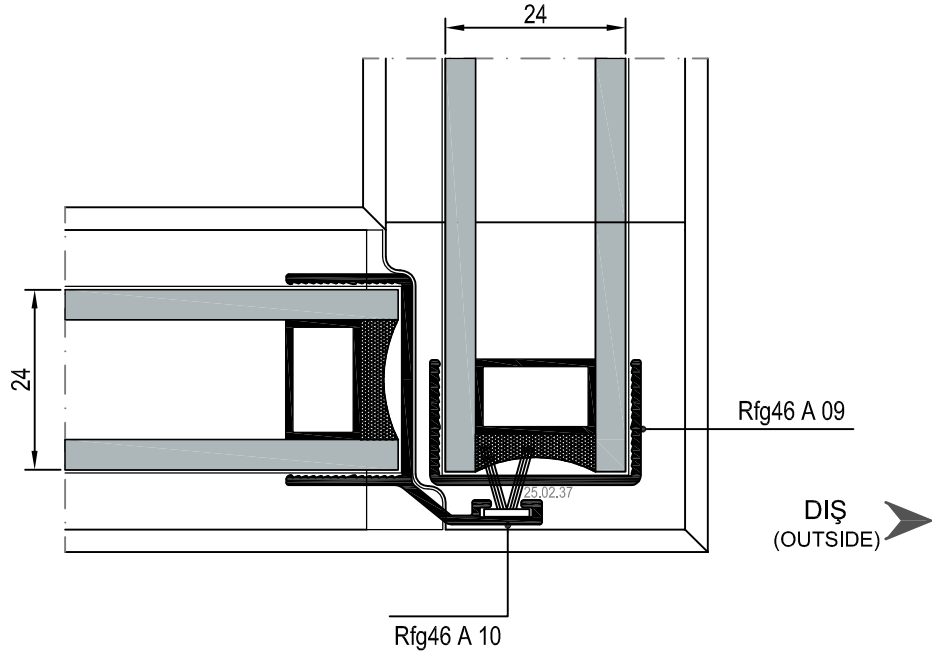
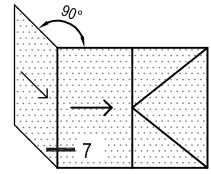
⑤A DETAYI  
DETAIL

⑤B DETAYI  
DETAIL

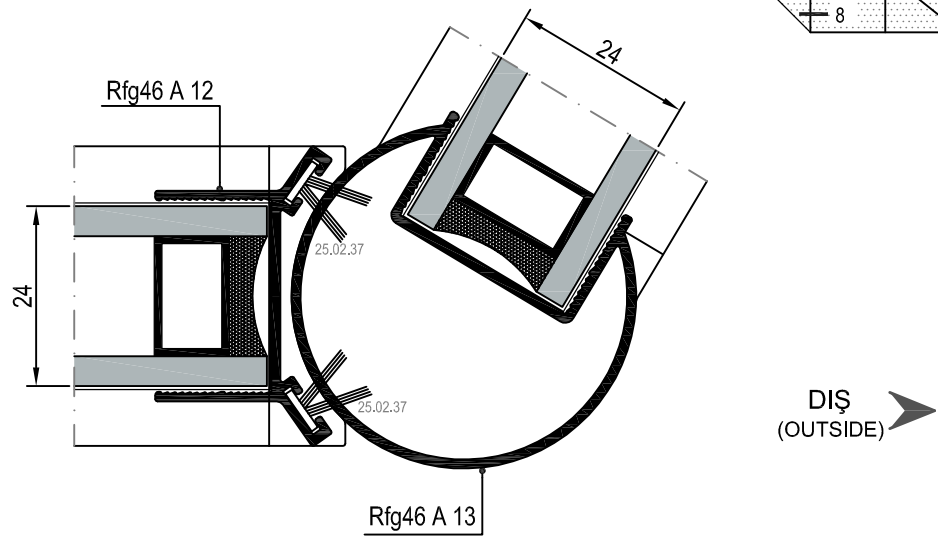
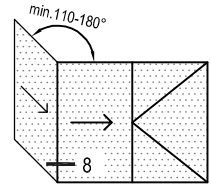


DIŞ  
(OUTSIDE) ▼

⑥ DETAYI  
DETAIL



⑦ DETAYI  
DETAIL



⑧ DETAYI  
DETAIL

**AKSESUARLAR**  
ACCESSORIES

# RFG46+

	<p><b>25.02.09</b></p> <p>KİLİTLİ TEKER ROLLER WITH LOCKER</p> <p>Malzeme / Material: PVC</p>			<p><b>25.02.44</b></p> <p>FREN - ALT BRAKE (BOTTOM)</p> <p>Malzeme / Material: PVC-METAL BAĞLANTILI</p>	
ZEMİN VE 1.KATLARDA KULLANILMALIDIR.MAKSİMUM DOĞRAMA YÜKSEKLİĞİ 1,6 M'DİR.					
	<p><b>25.02.10</b></p> <p>DÜZ TEKER SIMPLE ROLLER</p> <p>Malzeme / Material: PVC</p>			<p><b>25.02.45</b></p> <p>FREN - ÜST BRAKE (UPPER)</p> <p>Malzeme / Material: PVC-METAL BAĞLANTILI</p>	
ZEMİN VE 1.KATLARDA KULLANILMALIDIR.MAKSİMUM DOĞRAMA YÜKSEKLİĞİ 1,6 M'DİR.					
	<p><b>25.02.17</b></p> <p>MAFSALLI GÖNYE CORNER BRACKET</p>			<p><b>25.02.46</b></p> <p>SABİT MENTEŞE FIX HINGE</p> <p>Malzeme / Material: PVC</p>	
	<p><b>25.02.31</b></p> <p>STOPLAMA VENT HOLDER</p> <p>Malzeme / Material: PVC</p>			<p>ÖNERİLİR - RECOMMENDED</p> <p><b>25.02.50</b></p> <p>LÜKS KİLİTLİ METAL TEKER LUX ROLLER WITH LOCKER</p> <p>Malzeme / Material: ALÜMİNYUM Aluminium</p>	
	<p><b>25.02.33</b></p> <p>İP CHAIN</p>			<p>ÖNERİLİR - RECOMMENDED</p> <p><b>25.02.51</b></p> <p>LÜKS DÜZ TEKER LUX SIMPLE ROLLER</p> <p>Malzeme / Material: ALÜMİNYUM Aluminium</p>	
	<p><b>25.02.37</b></p> <p>KİL FİTİL BRUSH</p> <p>Malzeme / Material Polipropilen / Polypropylene Paket / Package : 200 mt</p>			<p><b>25.02.52</b></p> <p>ZİNCİR CHAIN</p>	
	<p><b>17.03.04</b></p> <p>SÜNGER FİTİL (25.02.37'nin muadilidir.) Q-LON FOAM SEAL (Equivalent product of 25.02.37)</p> <p>Paket / Package : 2*200mt</p>			<p><b>25.02.61</b></p> <p>YAN KAPAK (Rfg46 F 01 ile) SIDE CAP (For Rfg46 F 01)</p> <p>Malzeme / Material: PVC</p>	



**AKSESUARLAR**  
ACCESSORIES

# RFG46+

	<b>25.02.64</b> "T" STOPLAMA PARÇASI VENT HOLDER "T" PIECE			<b>25.02.80</b> YAN KAPAK (Rfg46 F 03 ile) SIDE CAP (For Rfg46 F 03) Malzeme / Material: PVC	
	<b>25.02.73</b> KROM KULP CROM HOLDER			<b>25.02.82</b> 3'LÜ FREN (PİMLE KULLANILIR) TRIPPLE BRAKE WITH PIN	
	<b>25.02.75</b> FREN - ALT BRAKE (BOTTOM) Malzeme / Material: PVC-EKO			<b>25.02.83</b> 5'Lİ FREN (PİMLE KULLANILIR) BRAKE WITH PIN	
	<b>25.02.76</b> FREN - ÜST BRAKE (UPPER) Malzeme / Material: PVC-EKO			<b>25.02.84</b> 7'Lİ FREN (PİMLE KULLANILIR) BRAKE WITH PIN	
	<b>25.02.77</b> LÜKS ÇIKIŞ AĞZI LUX OUTLET CAP Malzeme / Material: PVC (25.02.78 ve 79 ile) (With 25.02.78 and 79)			<b>25.02.85</b> 8'Lİ FREN (PİMLE KULLANILIR) BRAKE WITH PIN	
	<b>25.02.78</b> LÜKS BOYNUZ LUX HORN Malzeme / Material: PVC (25.02.77 ve 79 ile) (With 25.02.77 and 79)			<b>25.02.86A</b> PİMLİ FREN MENTEŞE (UZUN) BRAKE HINGE WITH PIN (LONG)	
	<b>25.02.79</b> LÜKS KİLİT LUX LOCK Malzeme / Material: PVC (25.02.77 ve 78 ile) (With 25.02.77 and 78)			<b>25.02.86B</b> PİMLİ FREN MENTEŞE (KISA) BRAKE HINGE WITH PIN (SHORT)	

**AKSESUARLAR**  
ACCESSORIES

# RFG46+

	<b>25.02.87A</b> SAĞ KISA BOYNUZ SHORT HORN (RIGHT)  Max. Doğrama Ölçüsü Max. Window Dimension H:1200mm L:300 mm			<b>25.02.94A</b> BİTİŞ KAPAĞI (→) FINISH CAP (→)  Malzeme / Material:PVC	
	<b>25.02.87B</b> SOL KISA BOYNUZ SHORT HORN (LEFT)  Max. Doğrama Ölçüsü Max. Window Dimension H:1200mm L:300 mm			<b>25.02.94B</b> BİTİŞ KAPAĞI (←) FINISH CAP (←)  Malzeme / Material: PVC-EKO	
	<b>25.02.88</b> ALT 8'LI FREN BRAKE BOTTOM			<b>25.02.95A</b> AÇILI KAPAK (SOL) ANGLED CAP (LEFT)  Malzeme / Material:PVC	
	<b>25.02.89</b> ÜST 8'LI FREN BRAKE UPPER			<b>25.02.95B</b> AÇILI KAPAK (SAĞ) ANGLED CAP (RIGHT)  Malzeme / Material: PVC	
	<b>25.02.91</b> STOPLAMA STOPER			<b>25.02.96A</b> KÖŞE KAPAK (ALT) CORNER CAP (DOWN)  Malzeme / Material:PVC	
	<b>25.02.93A</b> ARA KAPAK(→) MIDDLE CAP(→)  Malzeme / Material:PVC			<b>25.02.96B</b> KÖŞE KAPAK (ÜST) CORNER CAP (UPPER)  Malzeme / Material: PVC	
	<b>25.02.93B</b> ARA KAPAK(←) MIDDLE CAP (←)  Malzeme / Material: PVC				